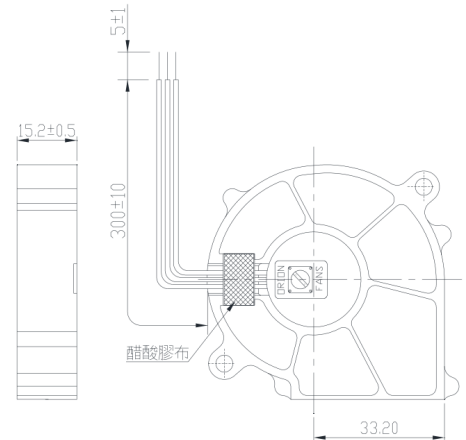
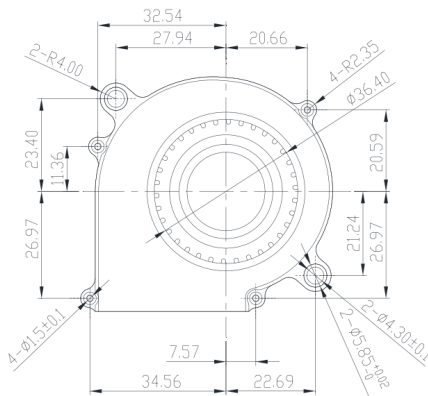


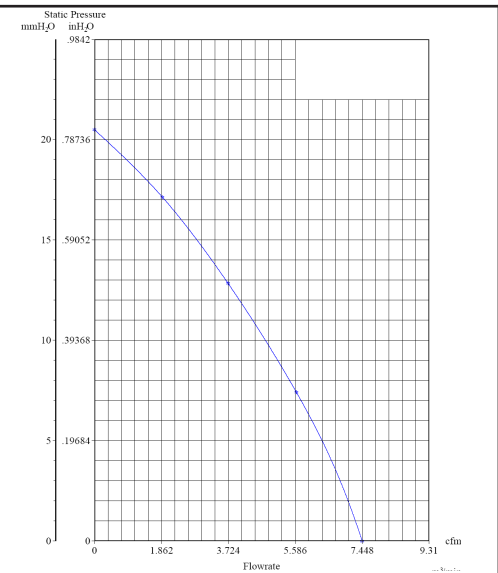
# ODB6015-12HHB02A



DC Blower 12V  
60x15mm (2.36" x .59")

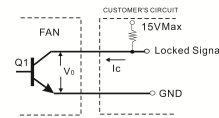


Frame & Impeller	PBT, UL94V-O plastic	Options Available Tachometer
Connecion	3x Lead wires *	
Motor	Brushless DC, auto restart, polarity protected.	Weight: ~ 35 g
Bearing System	Dual ball bearing	
Insulation Resistance	Min. 10M at 500VDC	* Connection UL1571, 28AWG, ~320mm Red (+) Black (-) Yellow Alarm
Dielectric Strength	1 minute at 500 VAC, max leakage < 500 MicroAmp	
Temperature Range	-10C ~ +70C	m1
Storage Temperature	-40C ~ +80C	
Life (L10)	70,000 hours (40C)	



Part Number	ODB6015-12HHB02A
Nominal Voltage	12V DC
Voltage Range	7 ~ 13.2V DC
Nominal Current	.20 A
Rated Power	3.84 W
Rated Speed (RPM)	5000
Airflow (CFM)	7.45
Noise Level (dB)	44
Max. Static Pressure	.80" H2O

Output of locked signal  
\*Output type.....Open collector type  
\*Electrical design suggestion:  
(External signal function design is decided by customer)



\*Transistor Q1 at "ON" position  
Collector current..... $I_c = 5\text{mA Max}$   
Saturation Voltage..... $V_{ce} = 1.0\text{V Max}$   
(Between Collector and Emitter at  $I_c = 5\text{mA}$ )  
\*Transistor Q1 at "OFF" position  
Release Voltage..... $V_{ce} = 15\text{V Max}$

